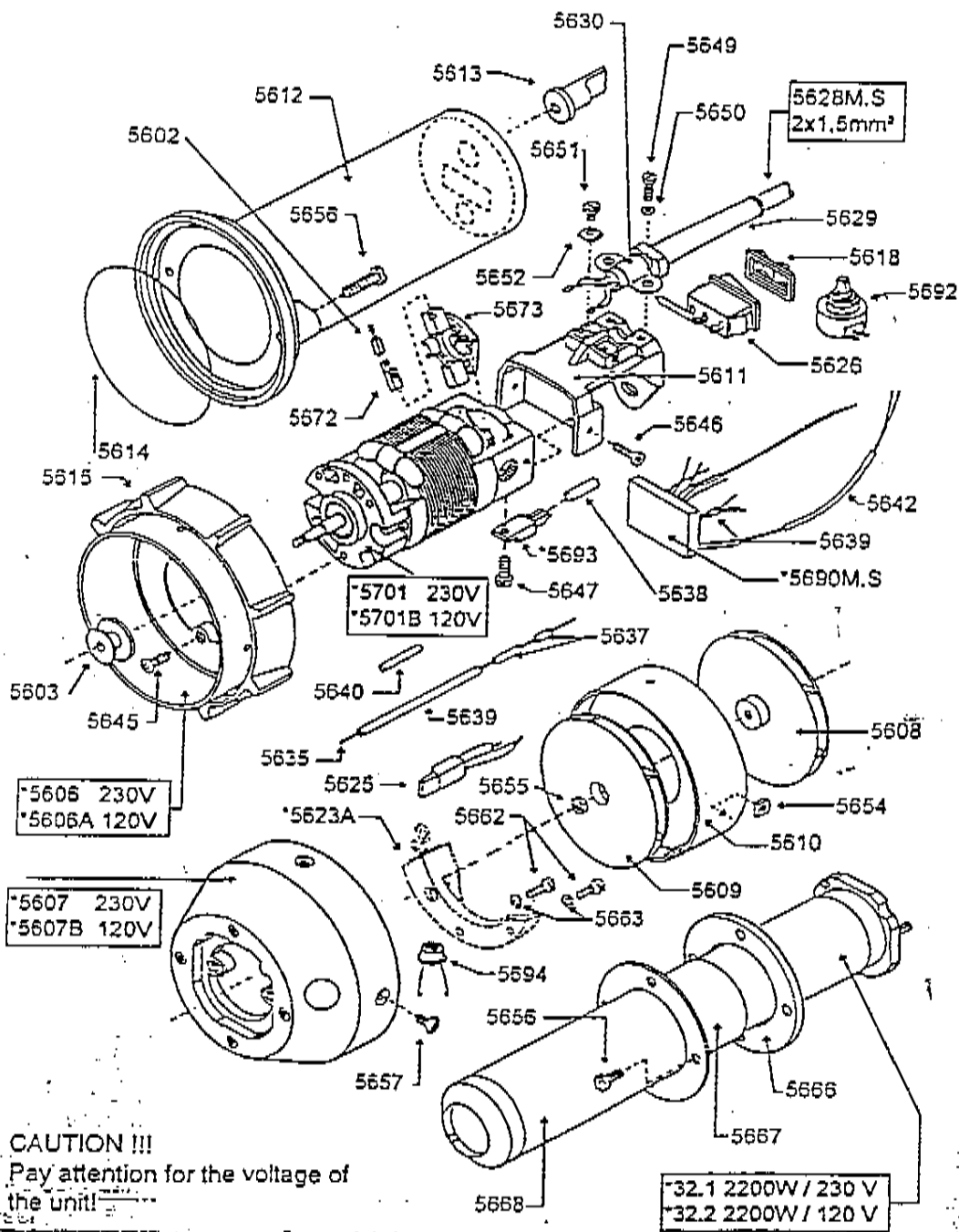


Hot-air blower

01.03.1995

Electron 2AM.S



CAUTION !!!
 Pay attention for the voltage of the unit!

*32.1 2200W / 230 V
 *32.2 2200W / 120 V

- 12 Gearbox fan
- 13 Gearbox control
- 14 Check door cap
- 15 Ventilation disc

501 187
 501 183
 D48-0007
 218 051

Hot-air blower

Item no.	Designation
32.1	heating element 2200 Watt / 230 V
32.2	heating element 2200 Watt / 120 V
5602	carbon brush no. 71, for 230 V device
5603	steel sleeve A2
5606	turbine housing lower part
5607	turbine housing upper part
5608	turbine first stage
5609	turbine second stage
5610	distributor
5611	clamp strap complete
5612	handle green
5613	control knob red
5614	o-Ring
5615	rubber ring with cam
5618	protecting cap (rubber)
5623A	triac 40A, 120 V with heat sink
5625	thermal conductor
5626	rocker switch complete with protecting cap
5628M.S	rubber-insulated cable 2 x 1.5 mm ² , 0.8 m long
5629	anti-kink sleeve 9.6 x 75 mm
5630	strain-relief strap
5635	cord
5637	shrinkdown tube 3/8", 30 x 12 mm
5638	shrinkdown tube 1/8", 3 x 12 mm
5639	flex. insulating tube
5640	adasil-tube 2.4 x 0.5 x 35 mm
5642	flex. insulating tube 3.0 x 0.4 x 130 mm
5645	Taptite countersunk screw M4 x 14 mm
5646	Taptite half-round screw M3.5 x 8 mm
5647	fillister head screw M3.5 x 6 mm, coated
5649	fillister head screw M3 x 10 mm
5650	serrated lock washer M3
5651	Pan Head screw M4 x 6 mm
5652	torsion protecting washer 8 x 8 x 4.2 mm
5654	square nut M3.5
5655	hexagon nut M5
5656	fillister-head screw M4 x 10 mm
5657	raised countersunk screw M3.5 x 8 mm
5666	seal 50 x 30 x 4 mm
5667	samicanite tube 95 mm size
5668	pipe adapter
5672	carbon brush guide
5673	brush rocker
5690	electronics 230 V
5690B	electronics 120 V
5692	potentiometer 20 k Ω

Item no.	Designation
5693	triac 25A, 230 V
5694	photoresistor
5701	motor 230 V (high-speed)
5701B	motor 120 V (high-speed)